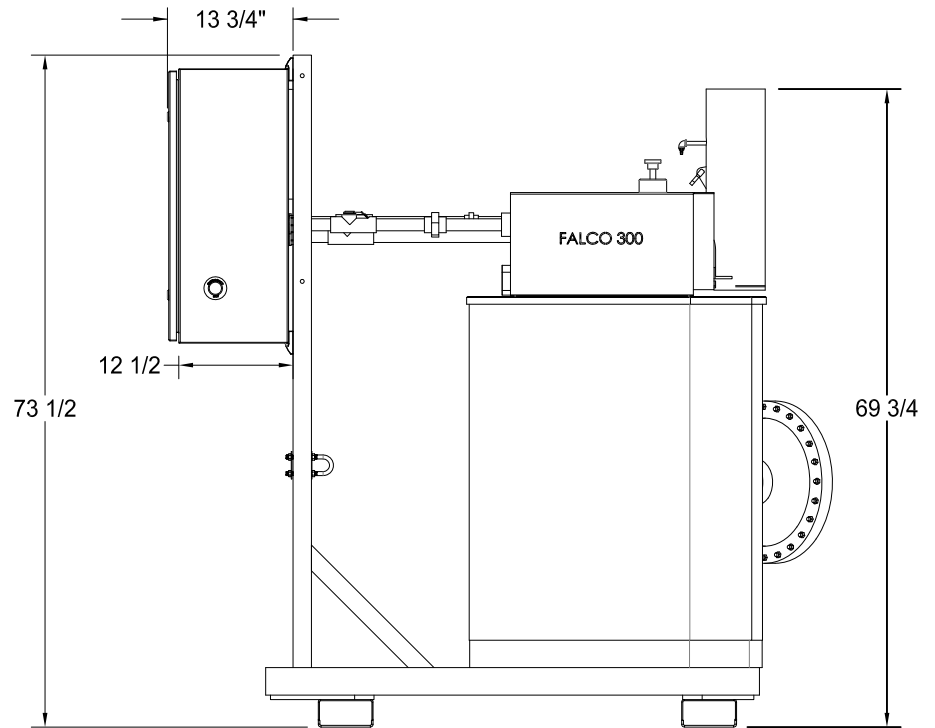
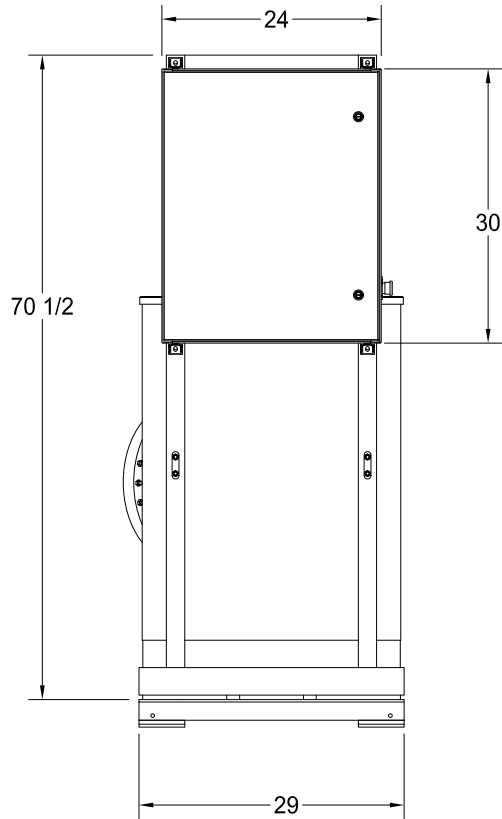
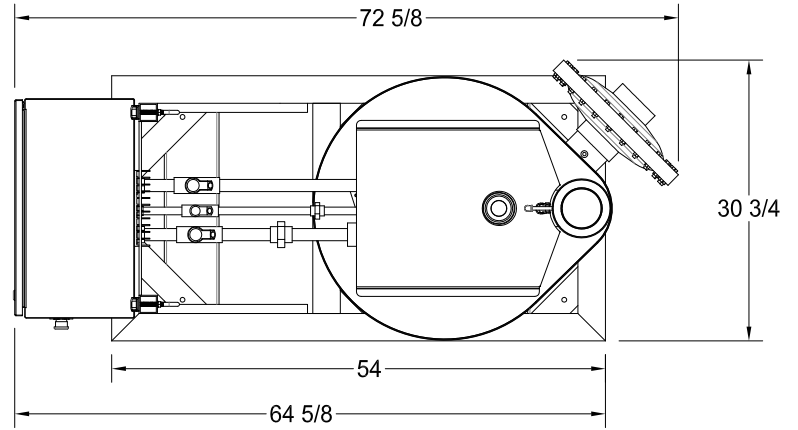


BOTTOM VIEW - ANCHOR HOLE LOCATIONS



FALMOUTH PRODUCTS, INC. 530 THOMAS & LANDERS ROAD FALMOUTH, MA 02574 PHONE: (508) 548-6585 FAX: (508) 548-8144			FALMOUTH PRODUCTS TITLE: FALCO 300 - SCR ASSEMBLY		
DRAWN	NAME	DATE	SIZE	DWG. NO.	REV
CHECKED	MTW	5-3-11	C	FP092010	B
SCALE: 1:10 WEIGHT:					SHEET 1 OF 1