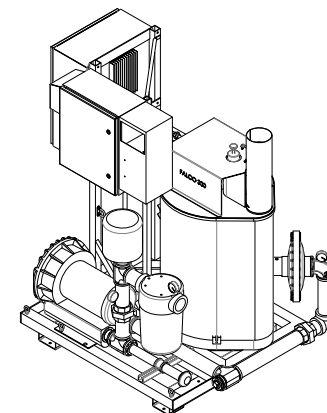


FALCO 300 CATALYTIC OXIDIZER

MAIN CONTROL BOX

49.2 INCHES

73.0 INCHES



VFD CONTROL BOX

73.5 INCHES

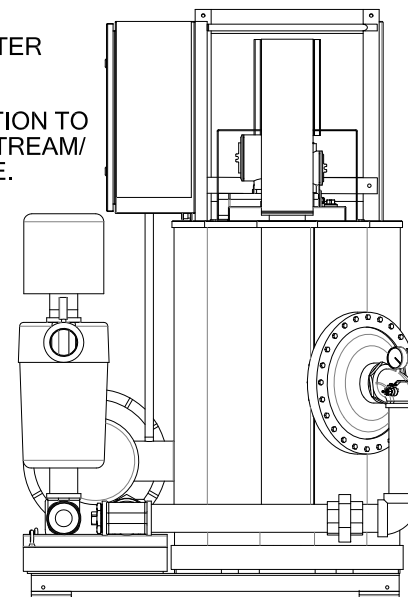
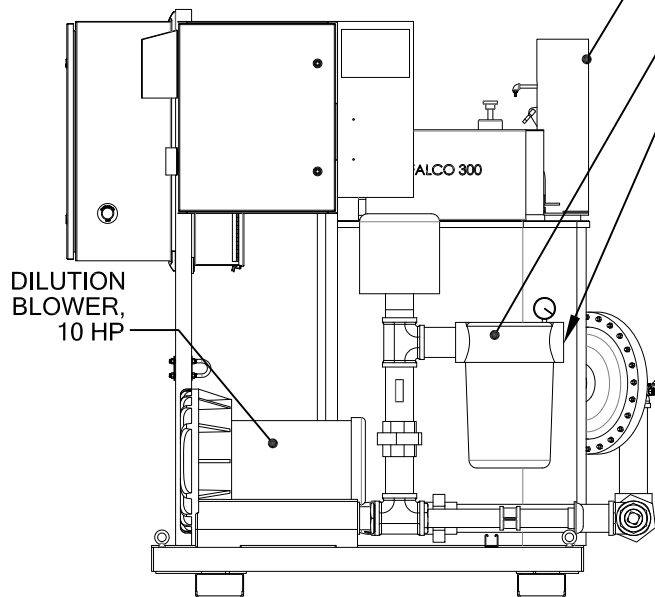
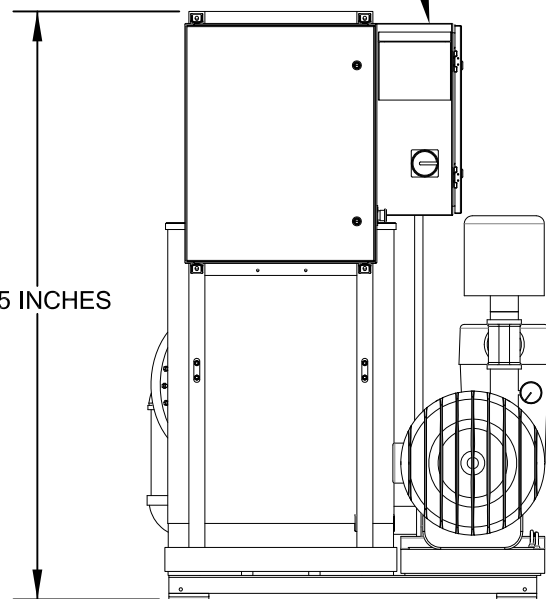
EXHAUST STACK

INLET FILTER

CONNECTION TO VAPOR STREAM/  
NULL PIPE.  
3" NPT

DILUTION  
BLOWER,  
10 HP

ALCO 300



FALMOUTH PRODUCTS  
530 THOMAS LANDERS RD  
FALMOUTH, MA 02574  
PHONE: 508-548-6686  
FAX: 508-548-8144

**FALMOUTH PRODUCTS**

**FALCO 300 WITH  
VFD AND 10 HP  
DILUTION BLOWER**

	NAME	DATE
DRAWN	MW	10-18-10
CHECKED		

SIZE	DWG. NO.	REV.
<b>A</b>	FP04270902	<b>C</b>

SCALE: 1:24    WEIGHT:    SHEET 1 OF 2