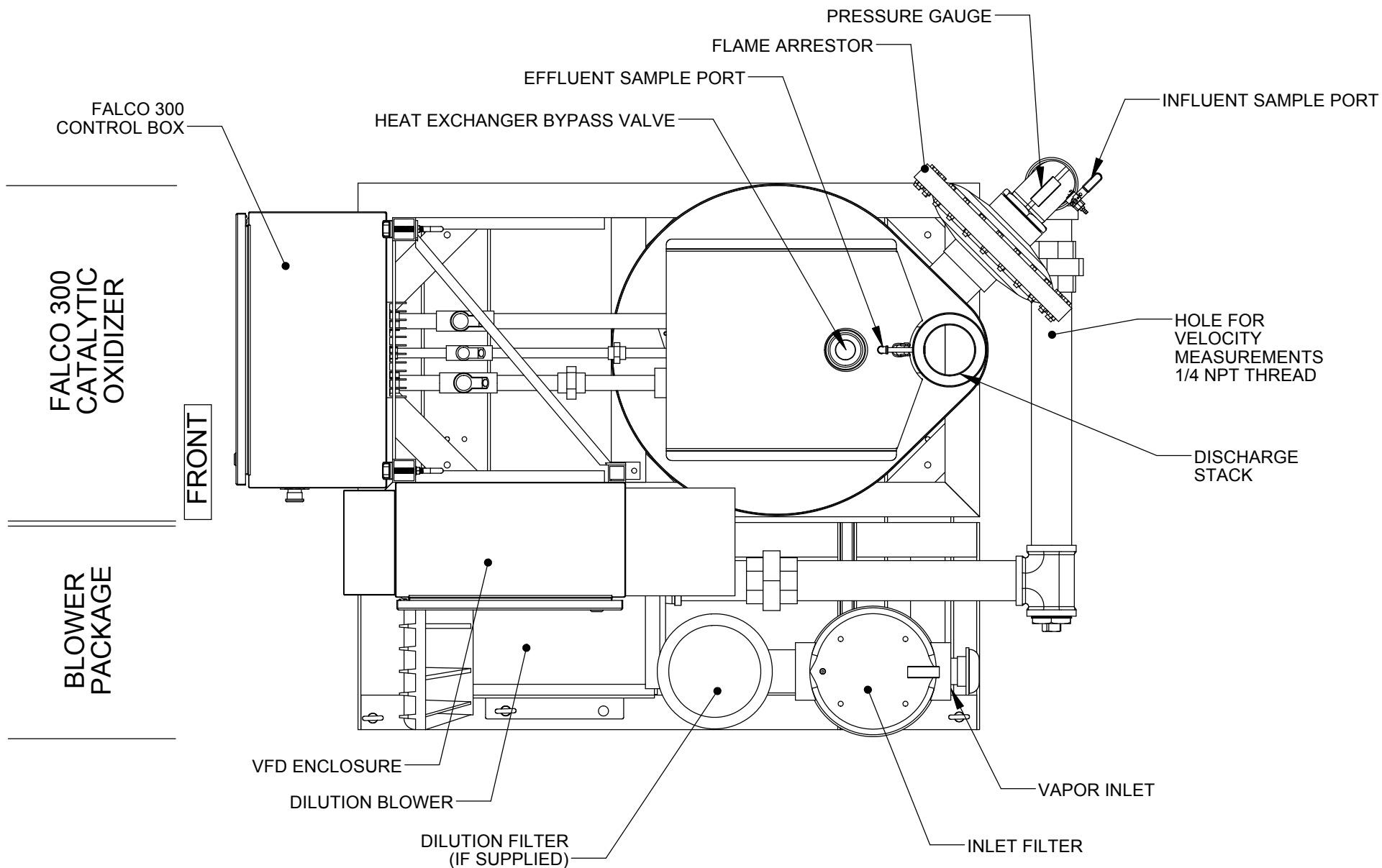


**FIGURE 1B: FALCO 300 with VFD - Major Components**



**Figure 2B: FALCO 300 with VFD - Top View**