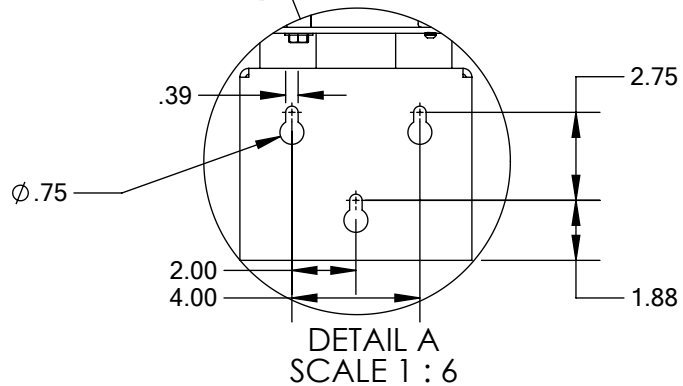


(Mounting Bracket removed)



FALMOUTH PRODUCTS  
530 THOMAS LANDERS RD  
FALMOUTH, MA 02536  
PHONE: 508-548-6686  
FAX: 508-548-8144

**FALMOUTH PRODUCTS**

**FALCO 600 VCV**

	NAME	DATE
DRAWN	MTW	12/27/2018
CHECKED		

SIZE	DWG. NO.	REV.
<b>A</b>	FP09201201	<b>D</b>
SCALE:1:12	WEIGHT:	SHEET 1 OF 1