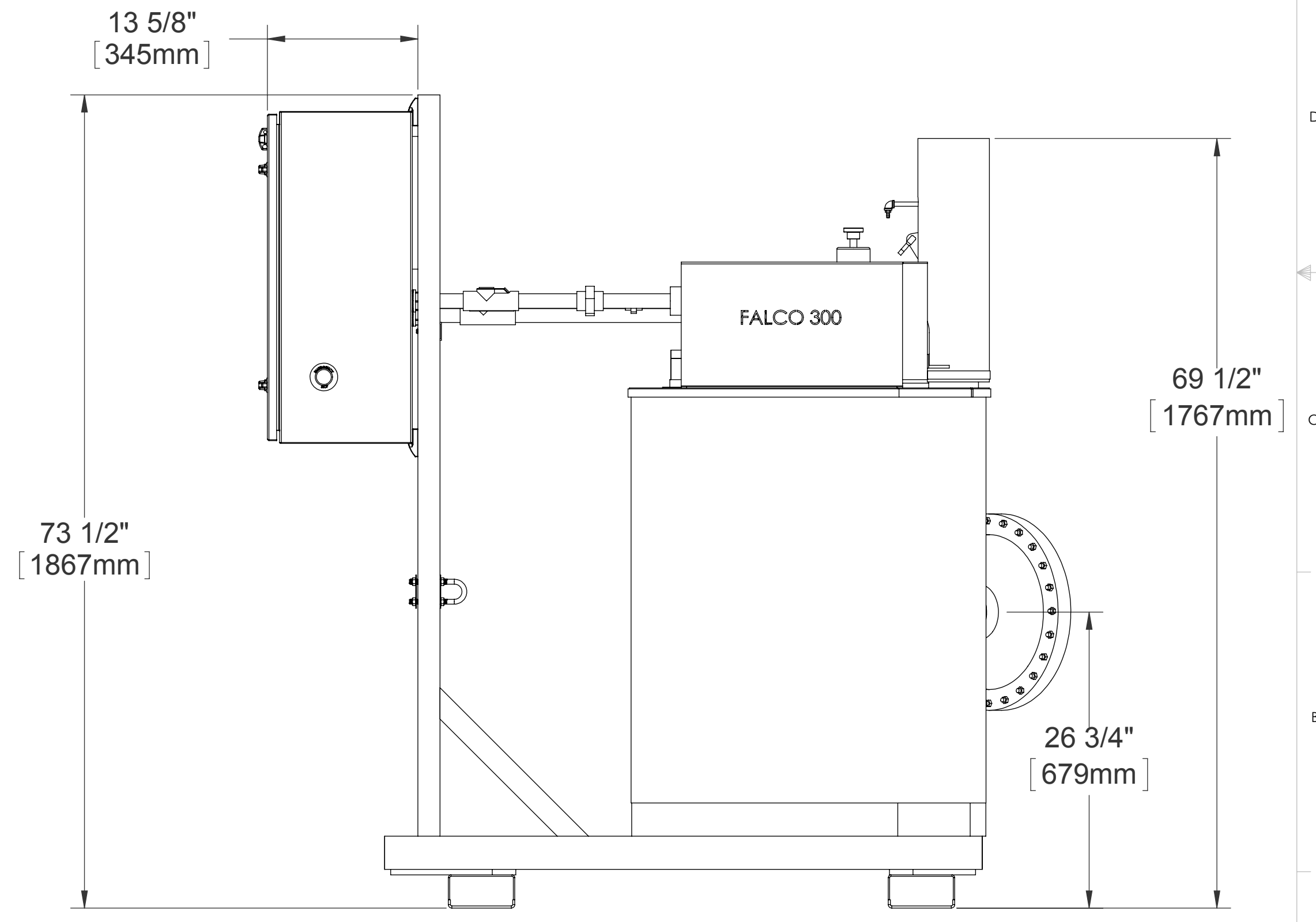
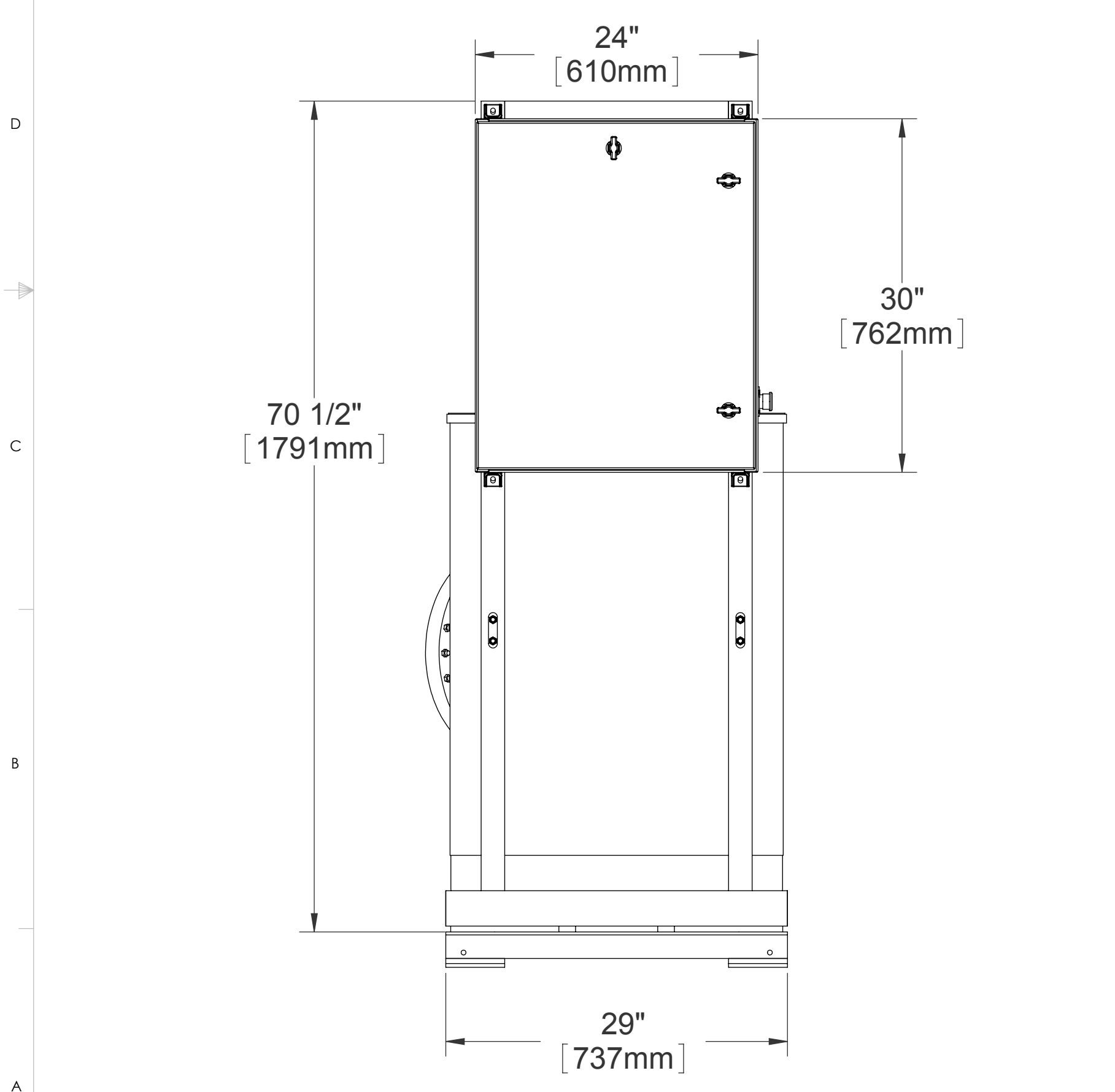
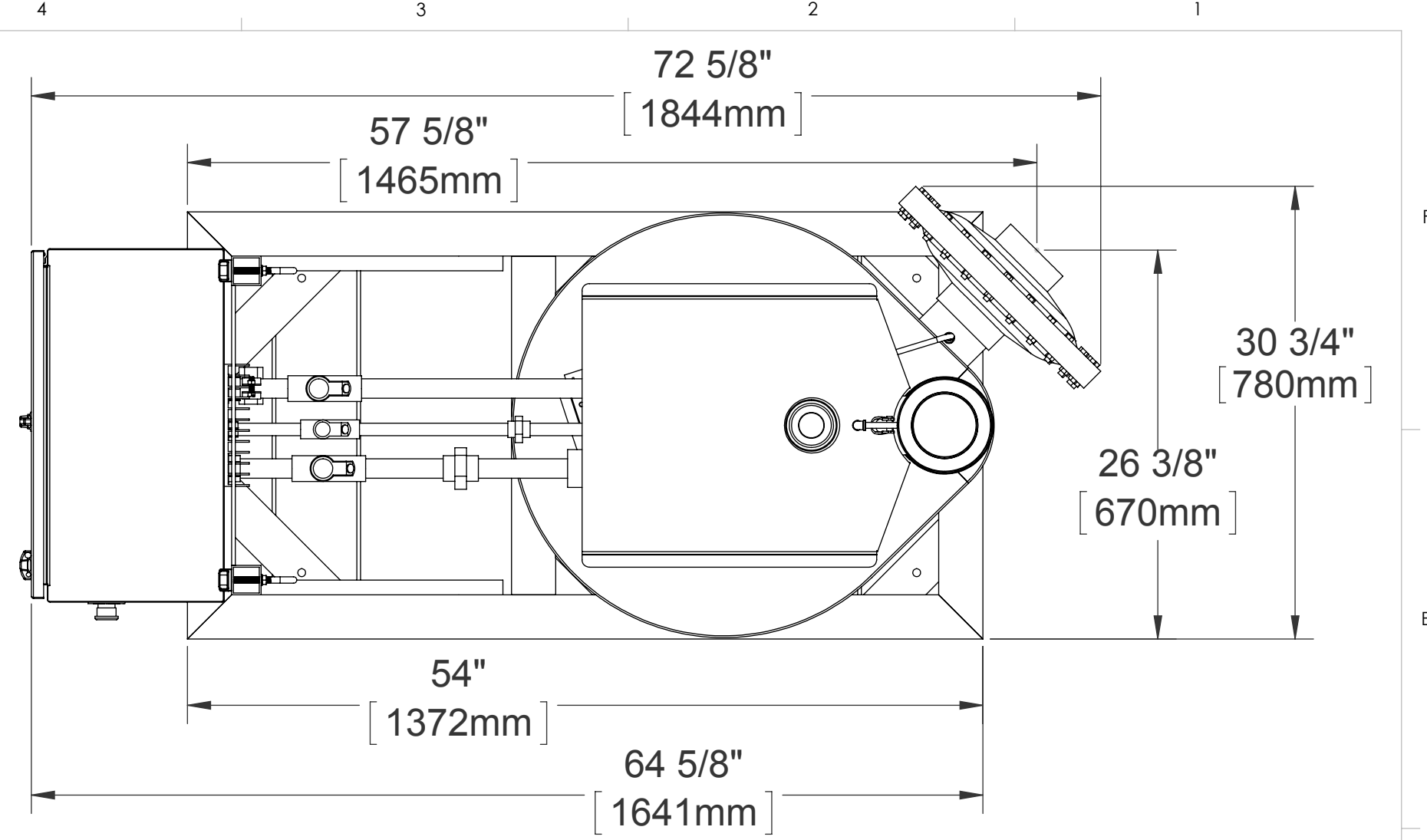


**BOTTOM VIEW - ANCHOR HOLE LOCATIONS**

4X  $\phi$  9/16"  
[14mm]  
ANCHOR HOLES



FALMOUTH PRODUCTS, INC. 530 THOMAS B LANDERS ROAD FALMOUTH, MA 02574 PHONE: (508) 548-6686 FAX: (508) 548-8144		<b>FALMOUTH PRODUCTS</b> TITLE: <b>FALCO 300 - SCR ASSEMBLY</b>	
NAME	DATE	SIZE	DWG. NO.
DRAWN MTW	7-5-17	<b>C</b>	<b>FP092010</b>
CHECKED		SCALE: 1:10	WEIGHT: SHEET 1 OF 1