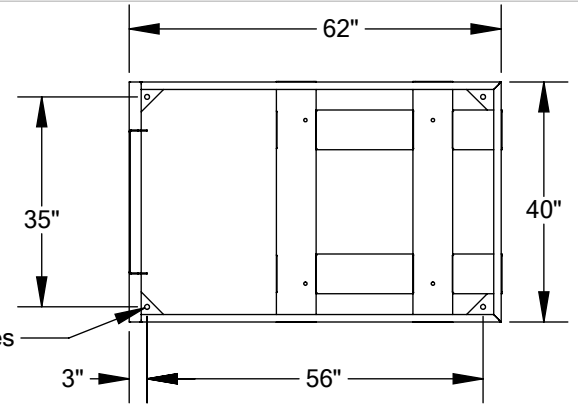


TOP VIEW

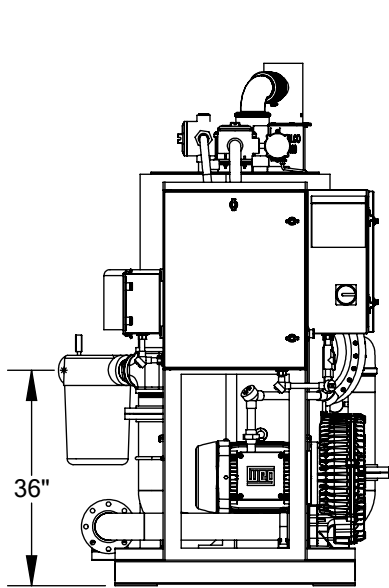
3" or 4" NPT Process Connection.
(Angle of filter may be adjusted
in 45 deg increments by repositioning
upper flange)

Stack Location



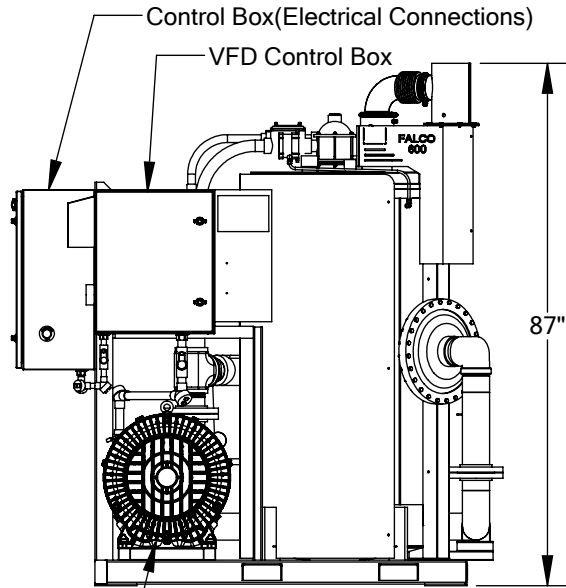
(4x) \varnothing 13/16" Anchor Holes

FRAME



36"

Dilution Blower



Exhaust Stack

Control Box (Electrical Connections)

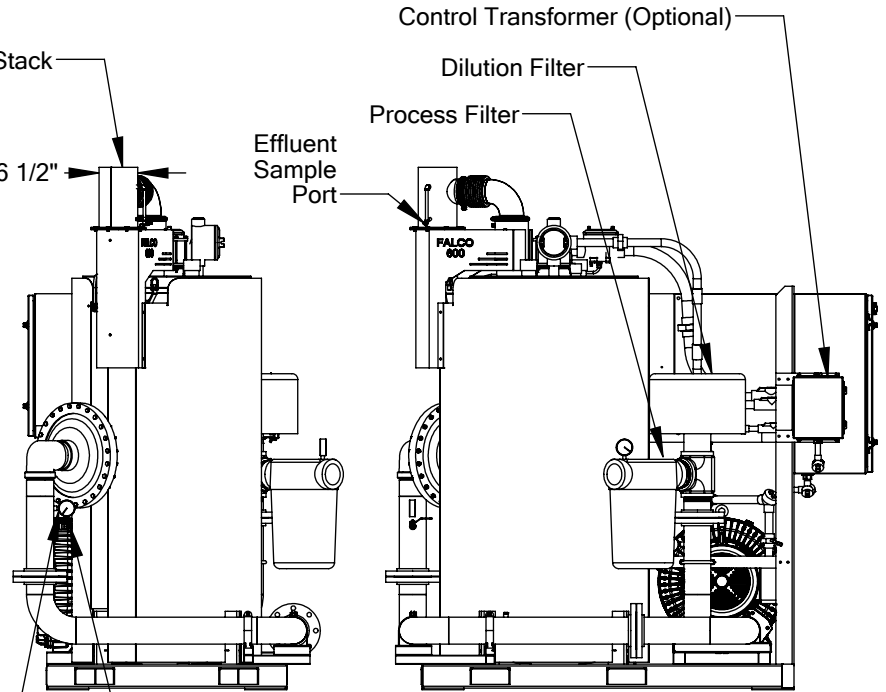
VFD Control Box

87"

Inlet Pressure Gauge

\varnothing 6 1/2"

Influent Sample Port



Control Transformer (Optional)

Dilution Filter

Process Filter

Effluent
Sample
Port

FALMOUTH PRODUCTS
P.O. BOX 541
FALMOUTH, MA 02541
PHONE: 508-548-6686
FAX: 508-548-8144

FALMOUTH PRODUCTS

**FALCO 600
BLOWER PACKAGE
DIMENSIONS (VFD)**

	NAME	DATE
DRAWN	MW	3-21-17
CHECKED		

SIZE	DWG. NO.	REV.
A	FP03211701	A

SCALE:1:32

SHEET 1 OF 1

3" or 4" PROCESS FILTER OPTION SHOWN