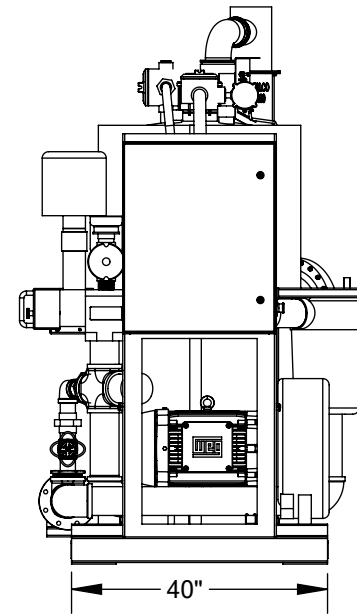
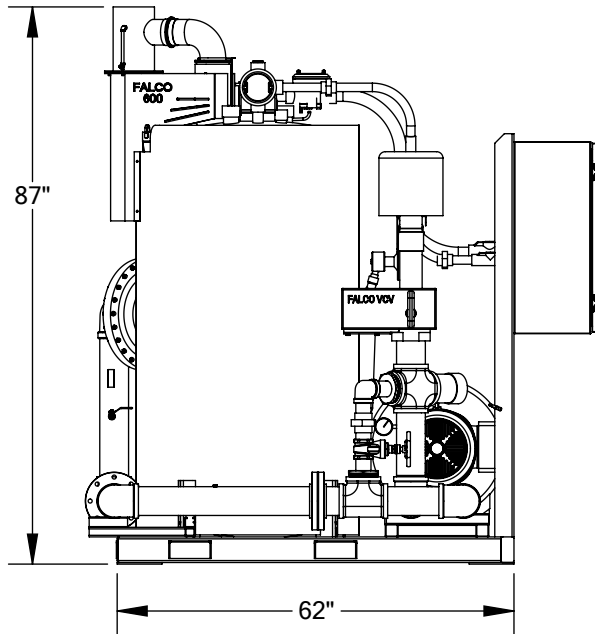
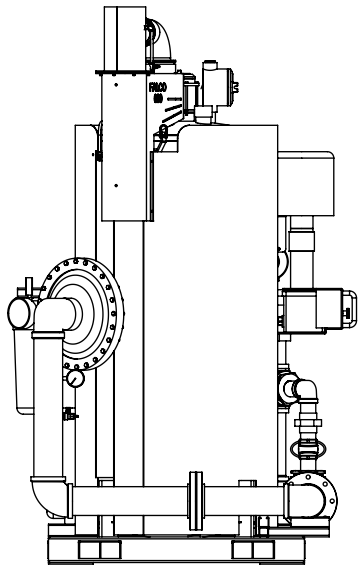


FRAME



FALMOUTH PRODUCTS
530 THOMAS LANDERS RD
FALMOUTH, MA 02536
PHONE: 508-548-6686
FAX: 508-548-8144

FALMOUTH PRODUCTS

**FALCO 600
20 HP BLOWER ASSY**

	NAME	DATE
DRAWN	MW	5-16-12
CHECKED		

SIZE	DWG. NO.	REV.
A	FP051612	A
SCALE: 1:30	WEIGHT: 1678.123	SHEET 1 OF 1