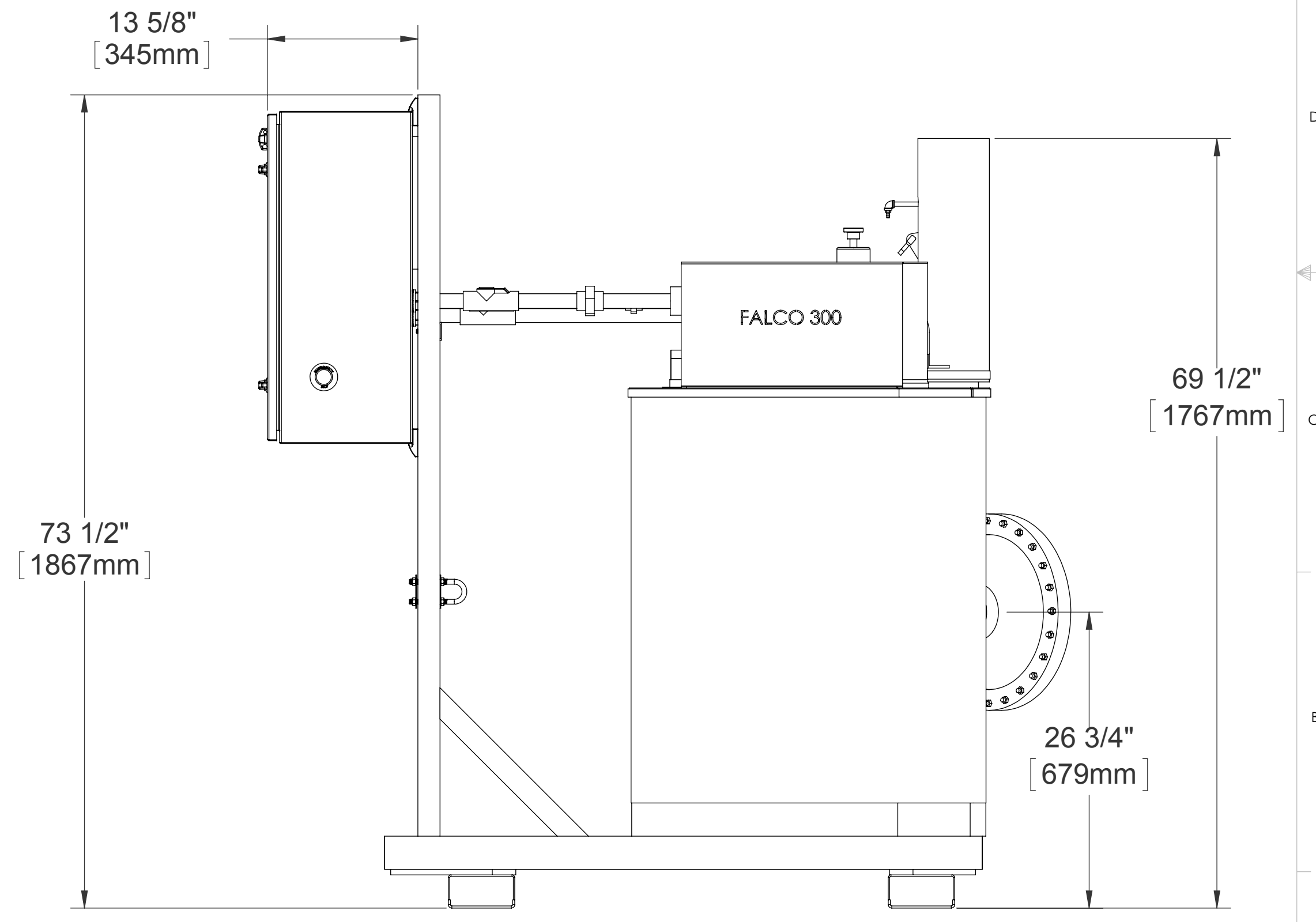
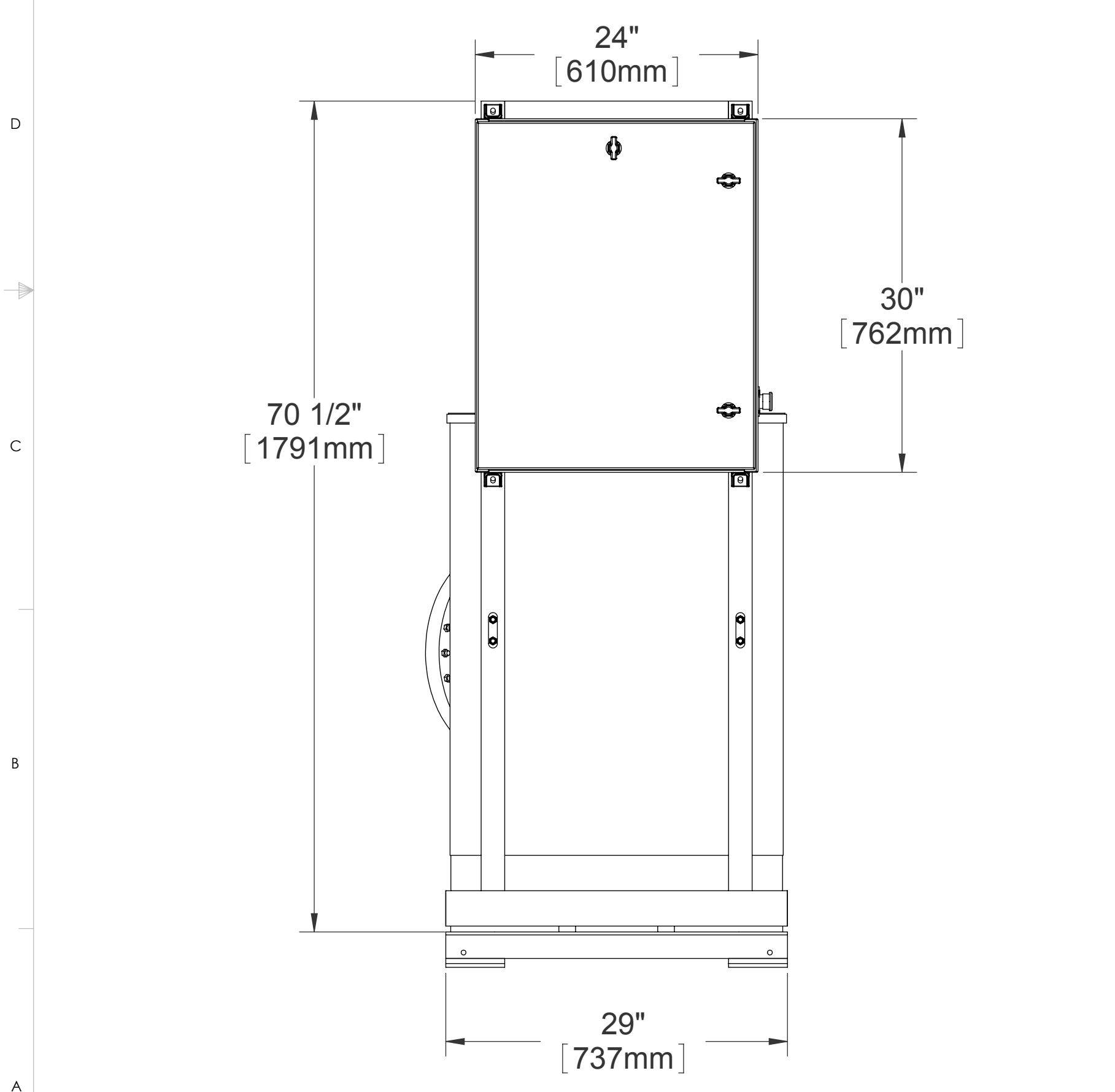
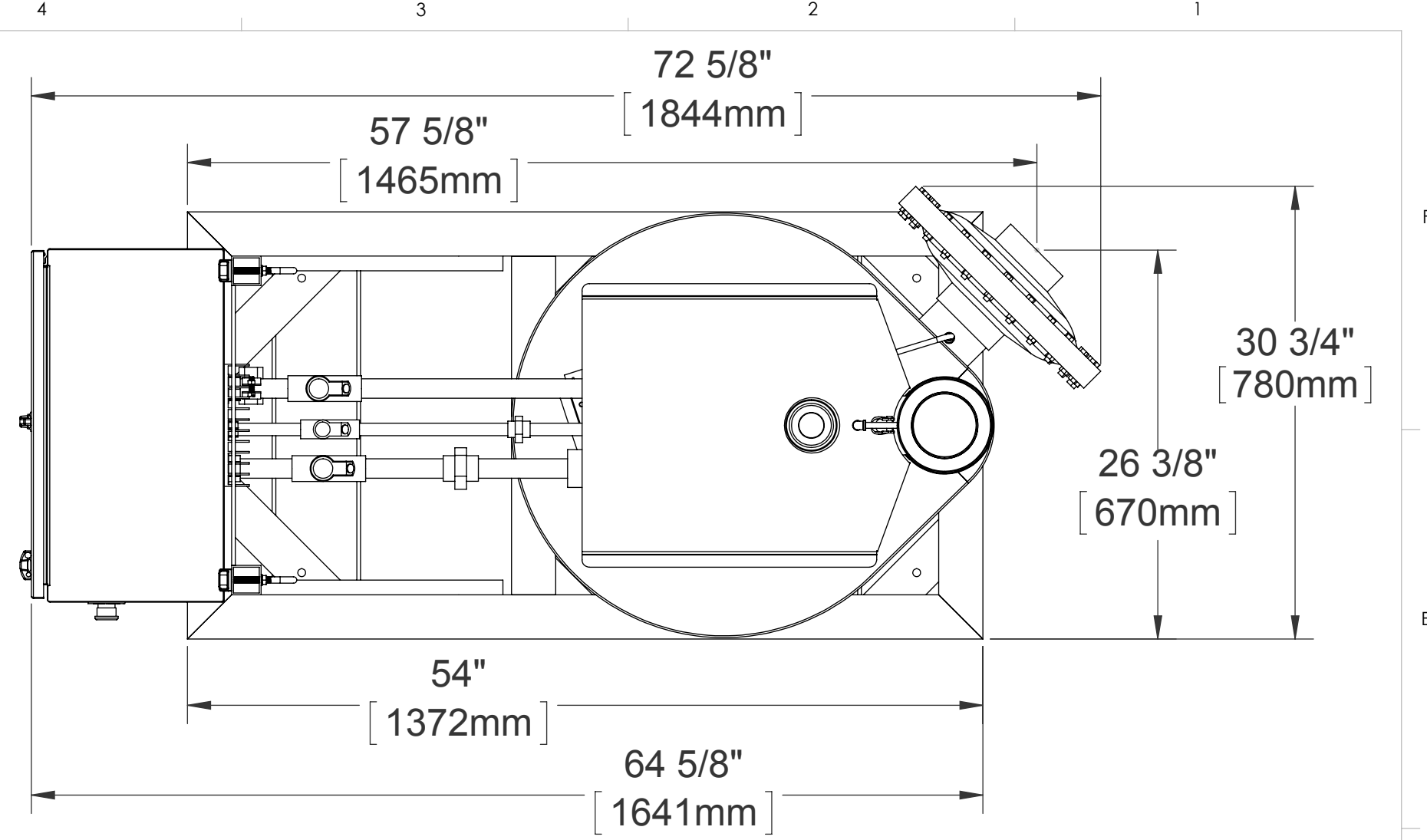


BOTTOM VIEW - ANCHOR HOLE LOCATIONS

4X ϕ 9/16"
[14mm]
ANCHOR HOLES



FALMOUTH PRODUCTS, INC. 530 THOMAS B LANDERS ROAD FALMOUTH, MA 02574 PHONE: (508) 548-6686 FAX: (508) 548-8144		FALMOUTH PRODUCTS TITLE: FALCO 300 - SCR ASSEMBLY	
NAME	DATE	SIZE	DWG. NO.
DRAWN MTW	7-5-17	C	FP092010
CHECKED		REV	C
SCALE: 1:10		WEIGHT:	SHEET 1 OF 1