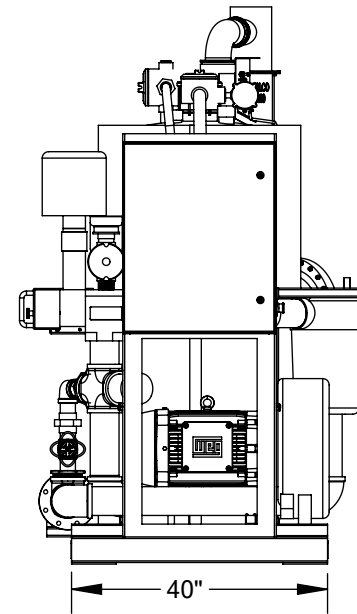
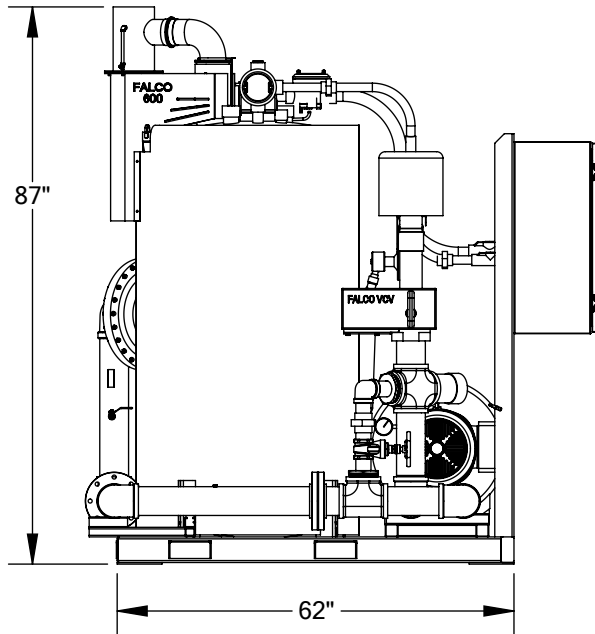
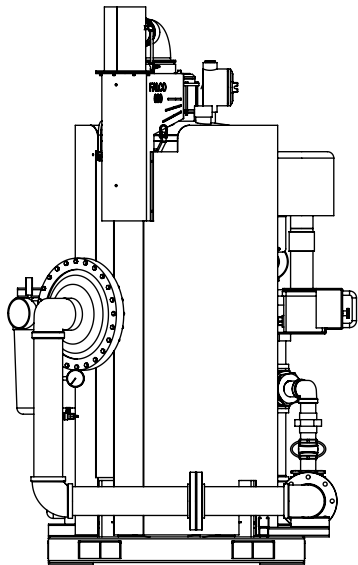


**FRAME**



FALMOUTH PRODUCTS  
 530 THOMAS LANDERS RD  
 FALMOUTH, MA 02536  
 PHONE: 508-548-6686  
 FAX: 508-548-8144

**FALMOUTH PRODUCTS**

**FALCO 600  
 20 HP BLOWER ASSY**

	NAME	DATE
DRAWN	MW	5-16-12
CHECKED		

SIZE	DWG. NO.	REV.
<b>A</b>	FP051612	<b>A</b>
SCALE: 1:30	WEIGHT: 1678.123	SHEET 1 OF 1