

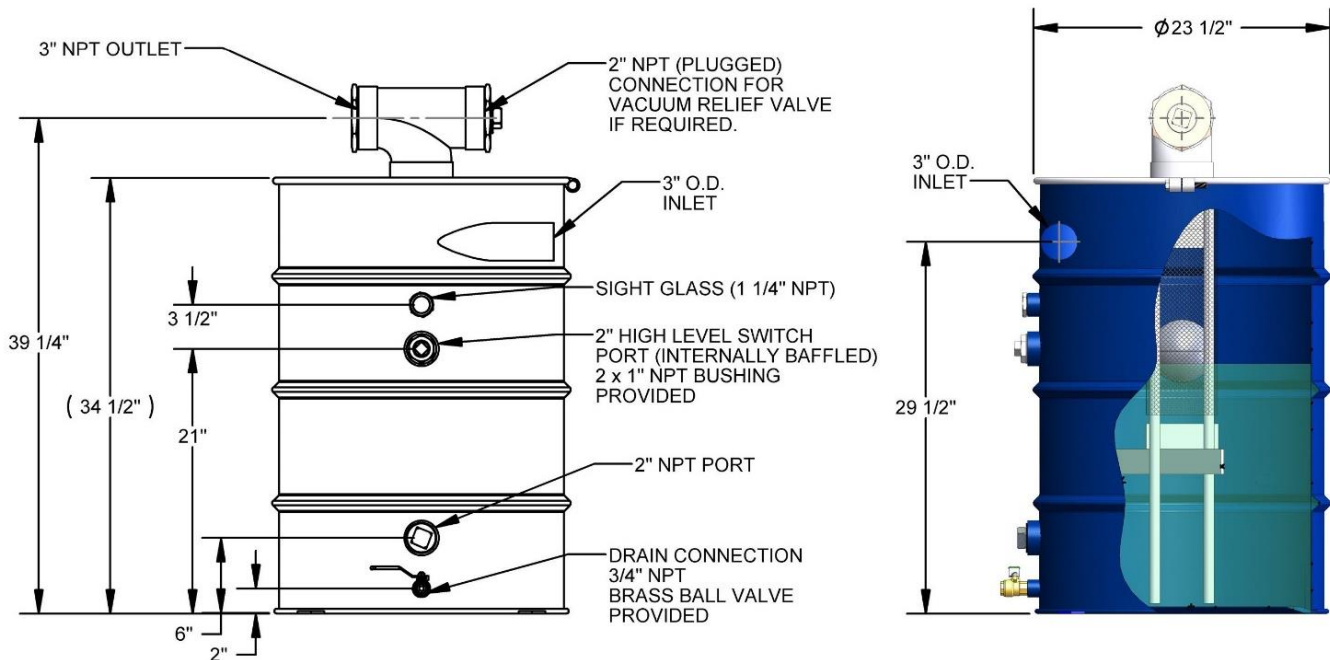
FALCO Liquid Separator



The FALCO Liquid Separator removes liquids and mist from air streams in soil vapor extraction applications. The Separator is installed on the vacuum side of the blower to prevent liquid carryover to the blower and treatment system.

The drum has a removable lid. Inside, a cage provides columnar support to the drum. A stainless ball float shuts off inlet flow when the drum is full.

- **CAPACITY** High level switch port: 35 gallons
Ball float shutoff: 43 Gallons
- **INLET** 3" OD Tubing
- **OUTLET** 3" NPT
- **CONSTRUCTION** 16 gauge steel, painted blue
- **WEIGHT** 77 pounds
- **MAXIMUM RATED VACUUM** 23 inches of Hg (312 inches H₂O)
- **PRESSURE DROP** 4 inches H₂O @ 300 SCFM



FALCO

FALMOUTH PRODUCTS P.O. BOX 541 FALMOUTH, MA 02541
 Phone 508 548 6686 www.falmouthproducts.com
sales@falmouthproducts.com